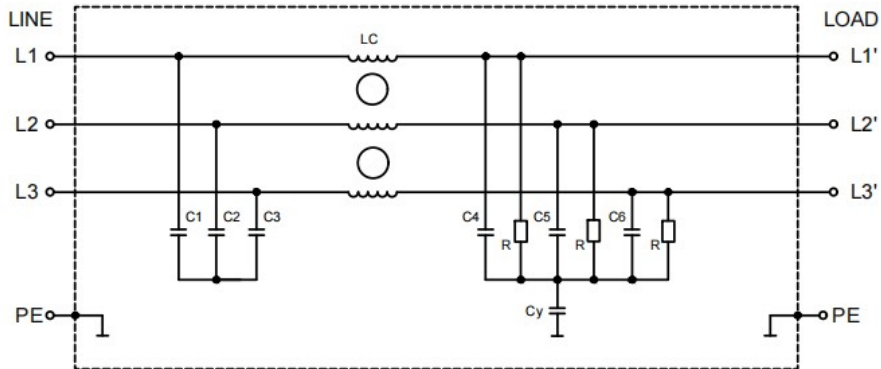


# DAQI® EBA Series EMC Filter

Universal compact thin-walled filter

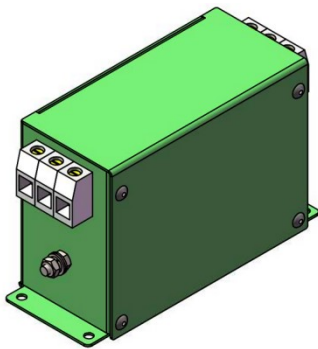
Customized service is available.

## 1. Electrical Circuit Design

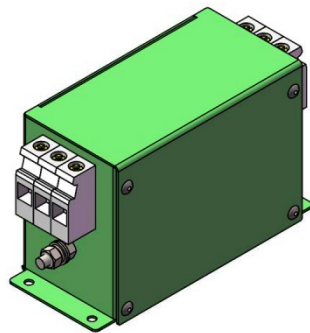


**EBA**

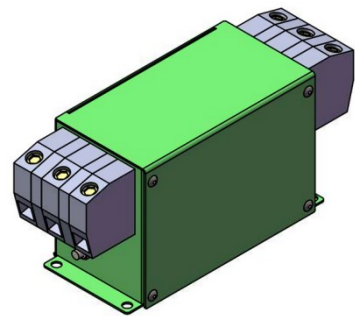
## 2. Structure Design



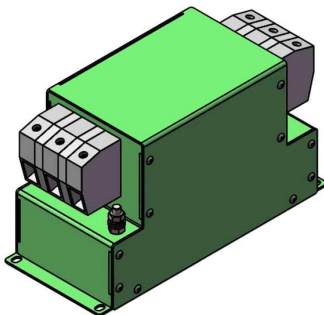
EBA-15A-32A



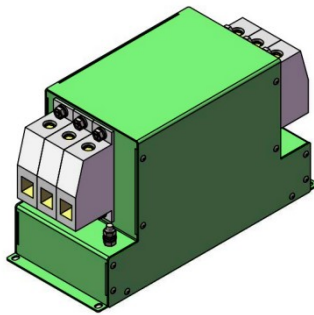
EBA-35A-45A



EBA-55A-65A



EBA-80A-115A



EBA-135A-200A

### 3. Electrical Installation Guide

The device contains the following terminals:

[L1, L2, L3] – Input terminals for main power supply.

[L1', L2', L3'] – Output terminals for inverter.

[PE] – Protecting earthing.

### 4. Electrical Specifications

Maximum continuous operating voltage	3×380/520VAC
Operating frequency	50/60
Rated currents	5-200A@45°C
High potential test voltage	L-L: 1650VDC, 5s; L-E: 2150VDC, 5s;
Overload capability	4x rated current at switch on 1.5x rated current for 1 minute once per hour
Temperature range	-25°C to +85°C (25/85/21)
Flammability corresponding to	UL 94 V-2 or better
MTBF @45°C/400 V (Mil-HB-217F)	>350,000 hours

### 5. Advantages

- ✧ Compact design meet the requirements of limited installation space.
- ✧ Safe, reliable and convenient of terminal connection.
- ✧ It has high ability to suppress differential and common mode interference in a wide frequency band.
- ✧ It also has a good filtering effect in very poor electromagnetic interference environment.

### 6. Typical Applications

- ✧ Three-phase variable speed motor drive, servo drive, inverter and converter.
- ✧ Applied to energy conversion device (inverter, AC/DC converter).

✧ HVAC equipment, elevator, power supply, UPS and other 3-phase Power supply application.

Please kindly send an inquiry for more details.

We will offer the solution according to the exact uses.

**Contact Us:**

**Email: [sales@daqidevice.com](mailto:sales@daqidevice.com)**

## EBA Series Universal Compact Thin-walled Filter

### Model Selection Table

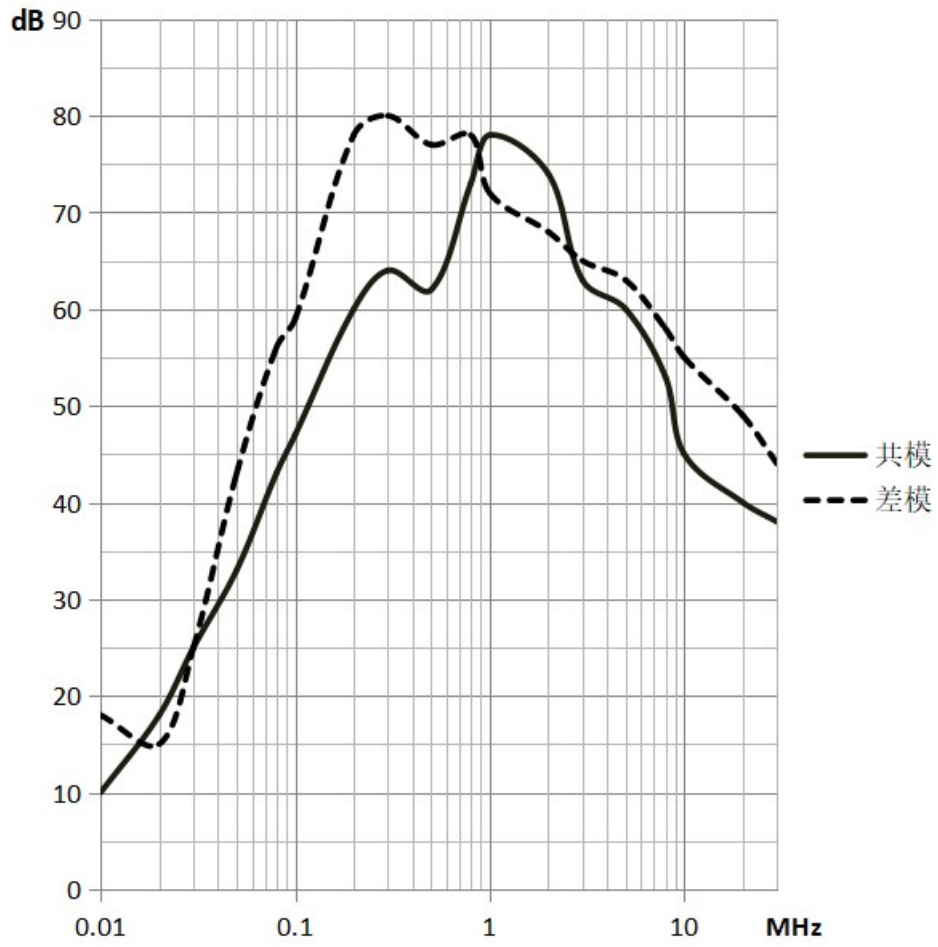
Ordering code	Rated current @45°C (A)	Typical drive power rating (KW)	Leakage current @250VAC 50Hz (mA)	Approx. weight (Kg)	Input/Output connections
DQ-EBA-0005-05C	5	3.3	≤2mA	0.3	C4N
DQ-EBA-0010-05C	10	5.5	≤2mA	0.3	C4N
DQ-EBA-0012-05C	12	7.5	≤2mA	0.3	C4N
DQ-EBA-0015-05C	15	9.5	≤2mA	0.4	C4N
DQ-EBA-0020-05C	20	11	≤2mA	0.4	C4N
DQ-EBA-0032-05C	32	15	≤2mA	0.5	C4N
DQ-EBA-0038-05C	38	18.5	≤3.5mA	0.55	C6N
DQ-EBA-0045-05C	45	22	≤3.5mA	0.6	C6N
DQ-EBA-0055-05C	55	30	≤3.5mA	1.0	C16N
DQ-EBA-0065-05C	65	37	≤3.5mA	1.2	C16N
DQ-EBA-0080-05C	80	45	≤4.5mA	1.6	C35N
DQ-EBA-0100-05C	100	55	≤4.5mA	1.8	C35N
DQ-EBA-0115-05C	115	75	≤4.5mA	1.8	C35N
DQ-EBA-0135-05C	135	75	≤4.5mA	2.8	C95N
DQ-EBA-0150-05C	150	90	≤4.5mA	3.2	C95N
DQ-EBA-0200-05C	200	110	≤4.5mA	3.5	C95N

### Cautions:

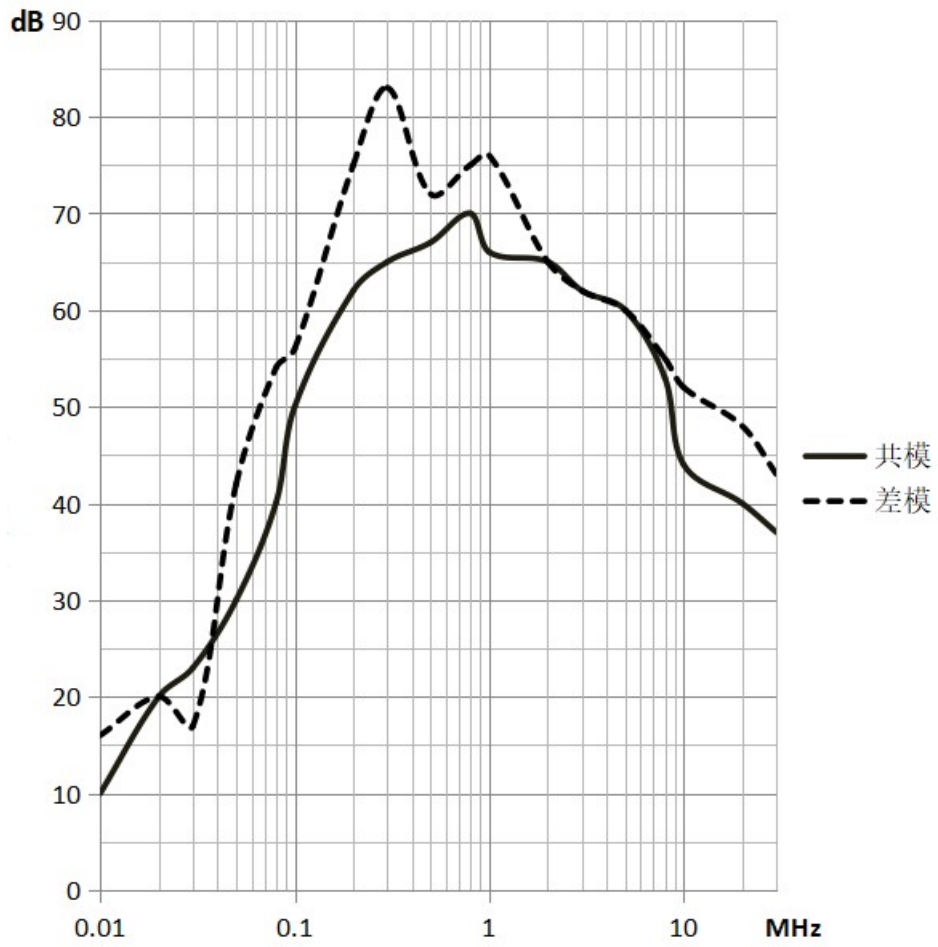
1. Typical drive power rating: Calculated at rated current, 480 VAC and Power Factor=0.8. The exact value depends upon the efficiency of the drive, the motor and the entire application.
2. The filter leakage currents specified in the data book are intended for user information only. The maximum leakage current of the entire electrical equipment or appliance has to be limited for safety reasons. Please obtain the applicable limits for your application from the relevant regulations, provisions and standards.

Terminal Connection Information			
Input/Output connections	Solid wire	AWG type wire	Screw/Recommended torque
C6N	0.2-10mm <sup>2</sup>	24-8AWG	M4/10.6-13lbf.in(1.2-1.46Nm)
C35N	10-35mm <sup>2</sup>	8-2AWG	M6/38-40lbf.in(4.29-4.52Nm)
C95N	21-85mm <sup>2</sup>	4AWG-3/0	M8/132-177lbf.in(14.91-20.00Nm)

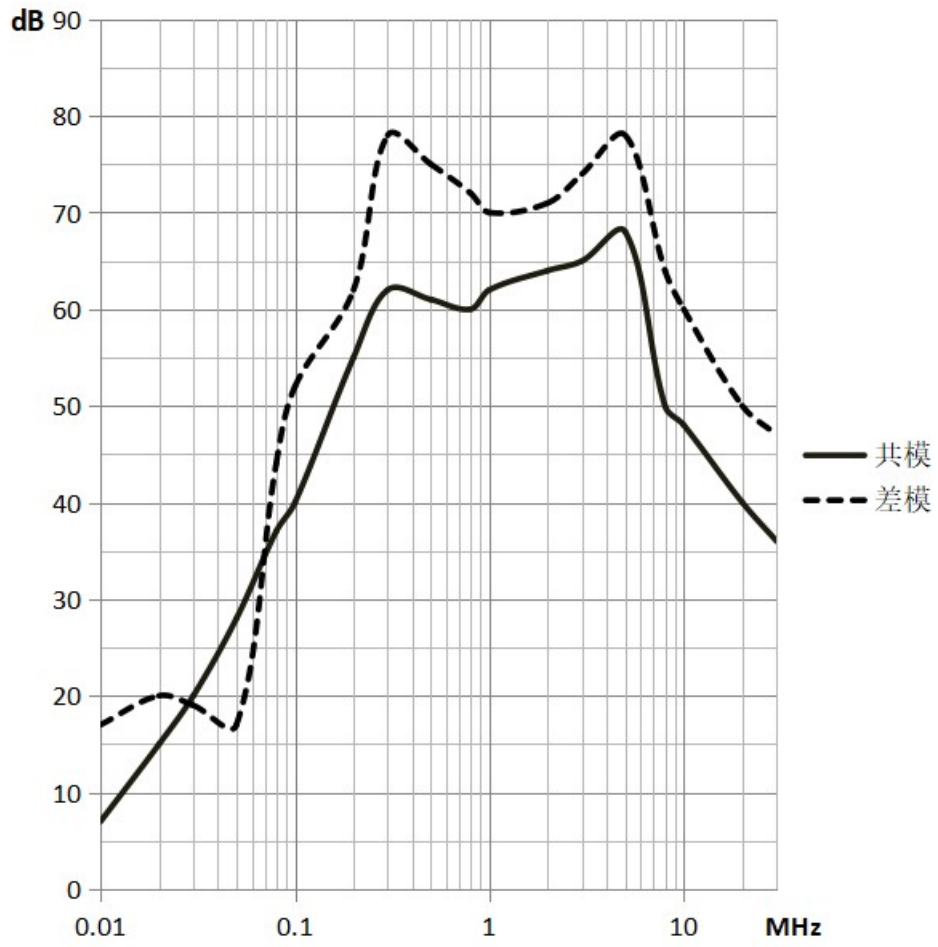
## 5-12A Insert Loss



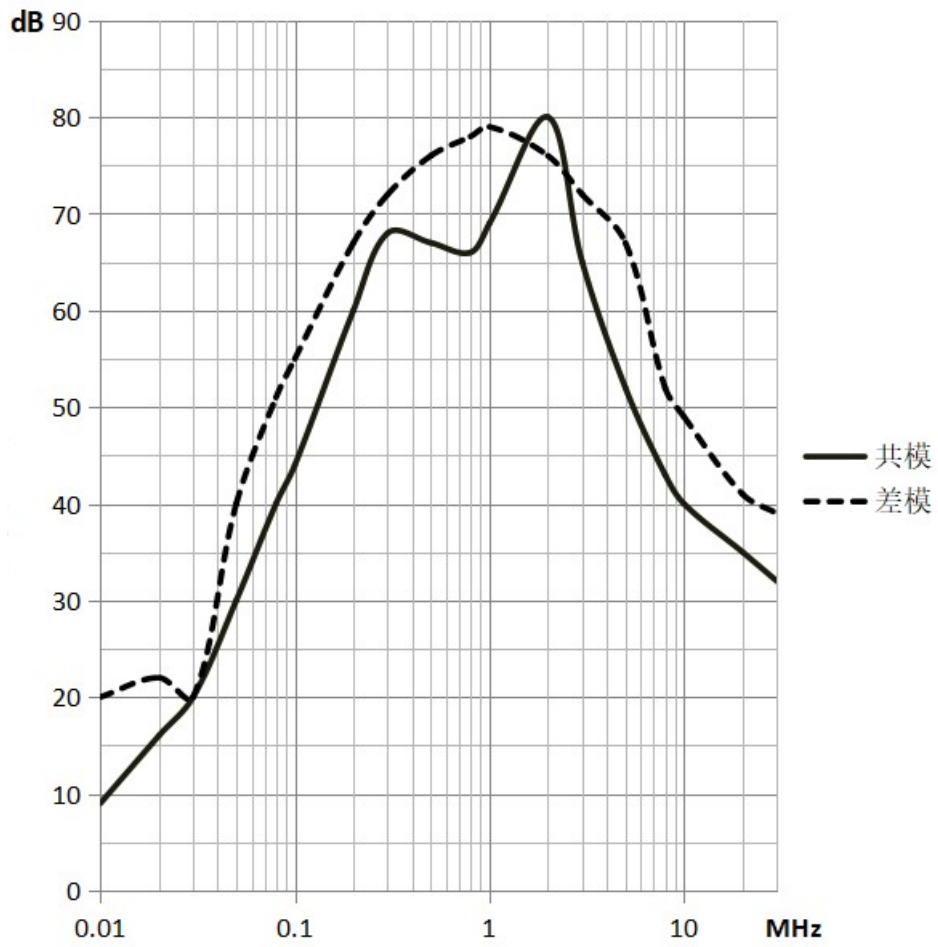
## 15-20A Insert Loss



## 32A Insert Loss

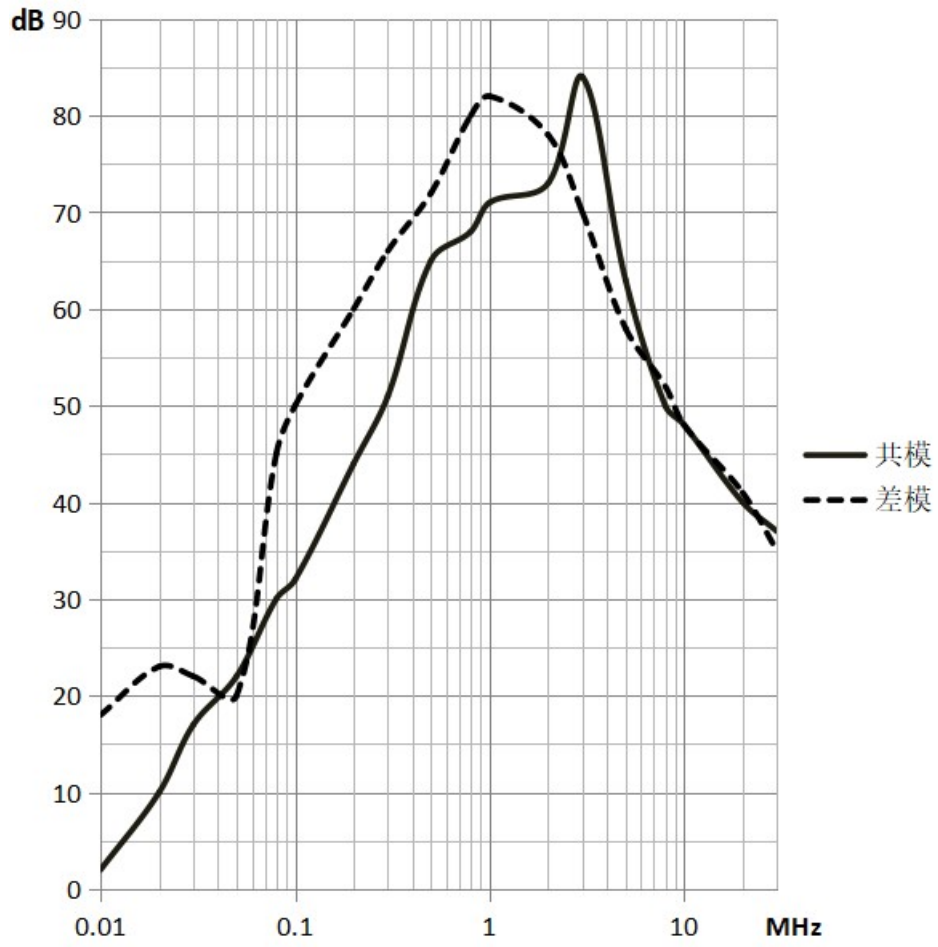


## 40A Insert Loss

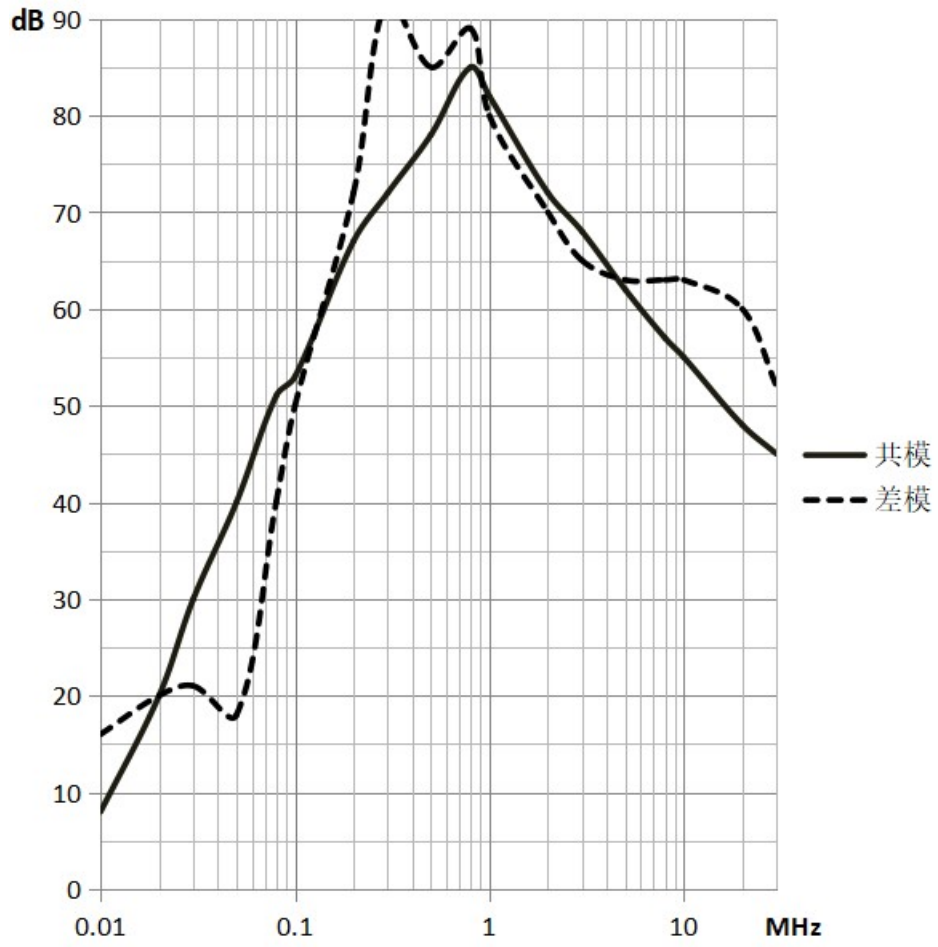




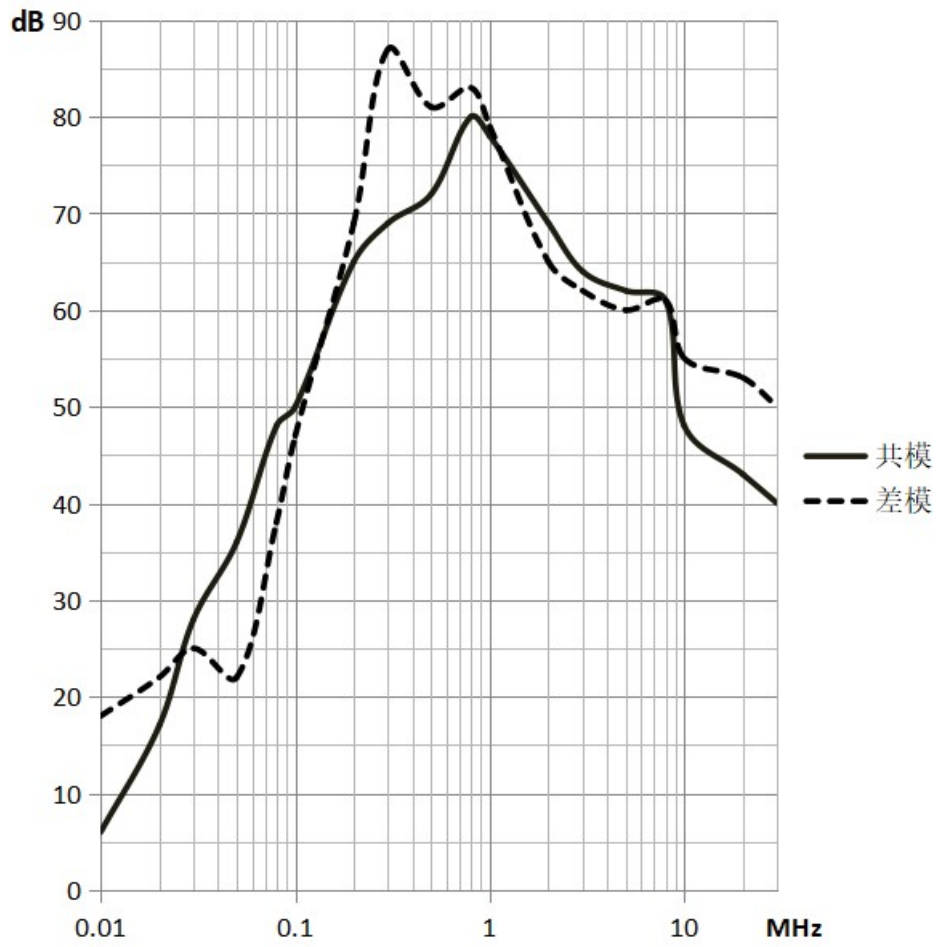
## 55-65A Insert Loss



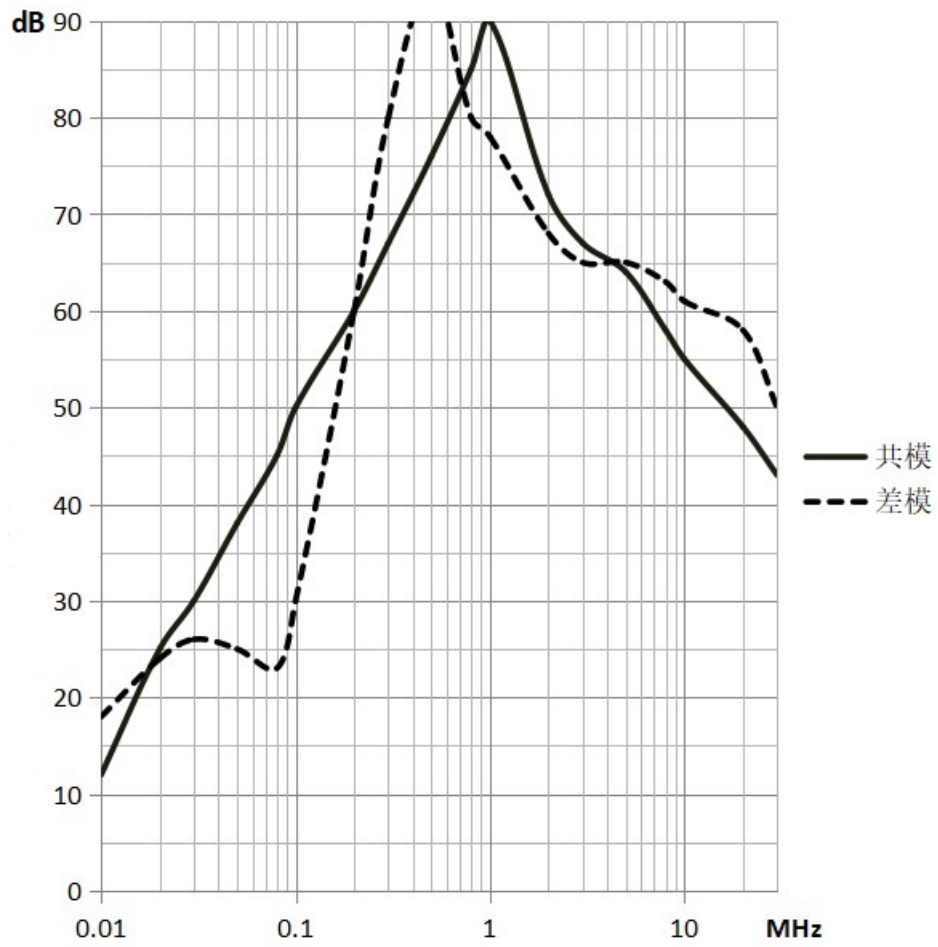
## 80A Insert Loss



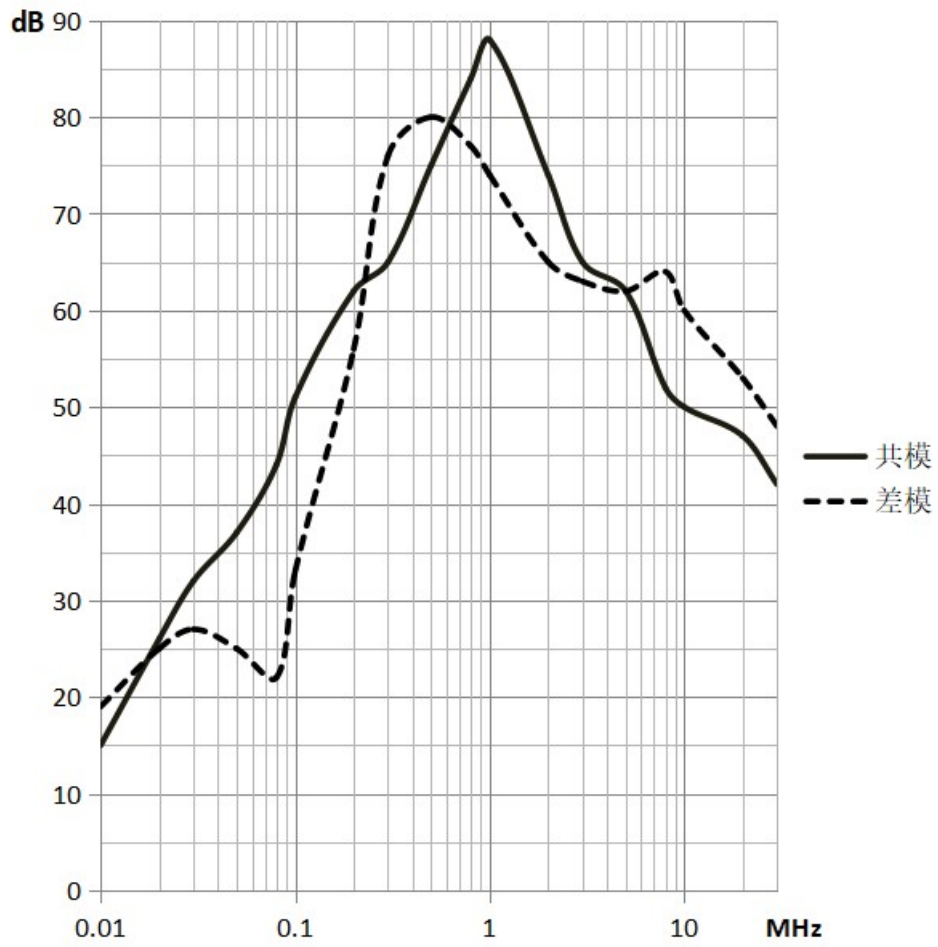
## 100-115A Insert Loss



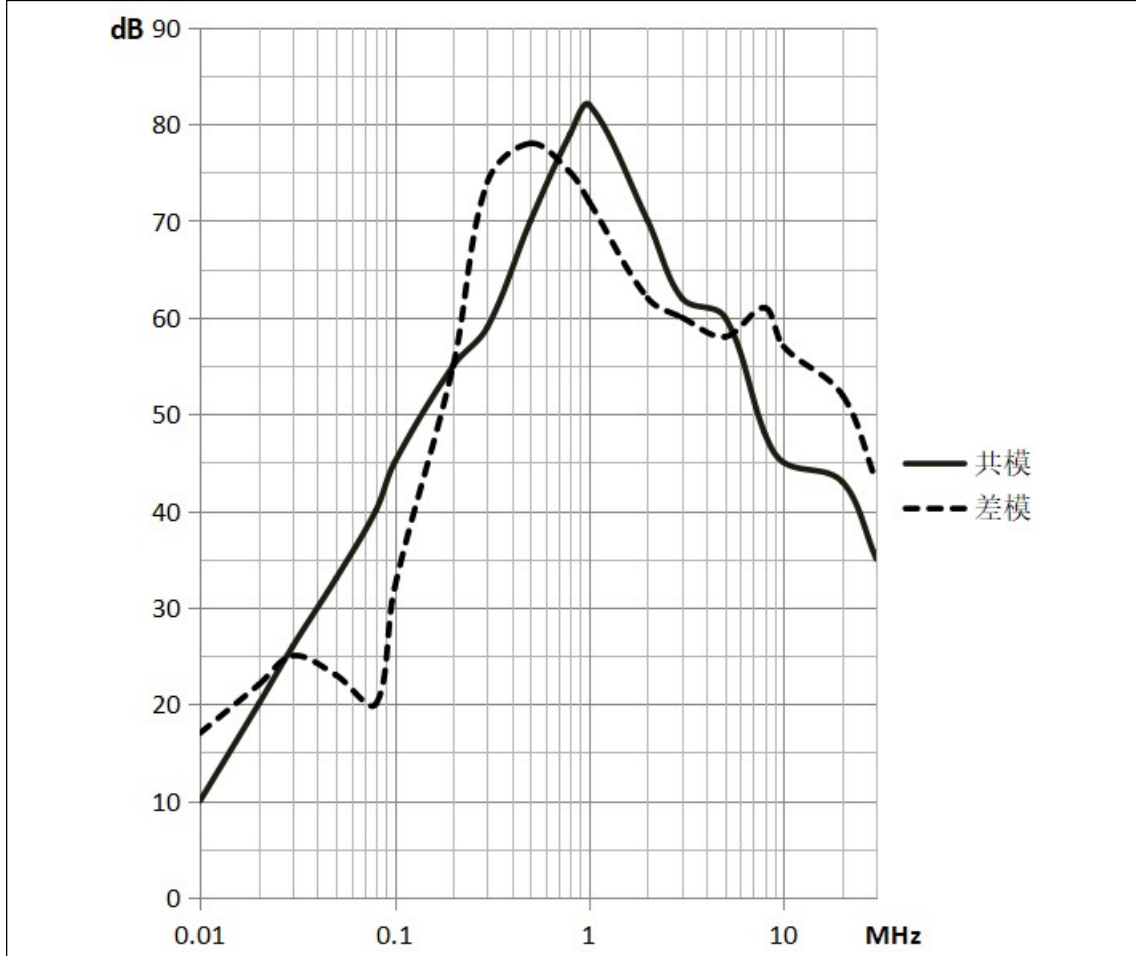
## 135A Insert Loss



## 150A Insert Loss



## 200A Insert Loss



# DAQI<sup>®</sup> Products Series

- Sine Wave Filter
- Passive Harmonic Filter
- EMC Filter
- Reactors
- Transformers
- Load Banks
- Active Filter

## Contact Us



### Shenzhen Daqi Industrial Device Co.,Ltd

Address: Rm1021, Jin Hao Building, Bao'an District, Shenzhen, Guangdong, China

Whatsapp/Tel: +86 186 8032 9162

Email: [sales@daqidevice.com](mailto:sales@daqidevice.com) Website: [www.daqidevice.com](http://www.daqidevice.com)