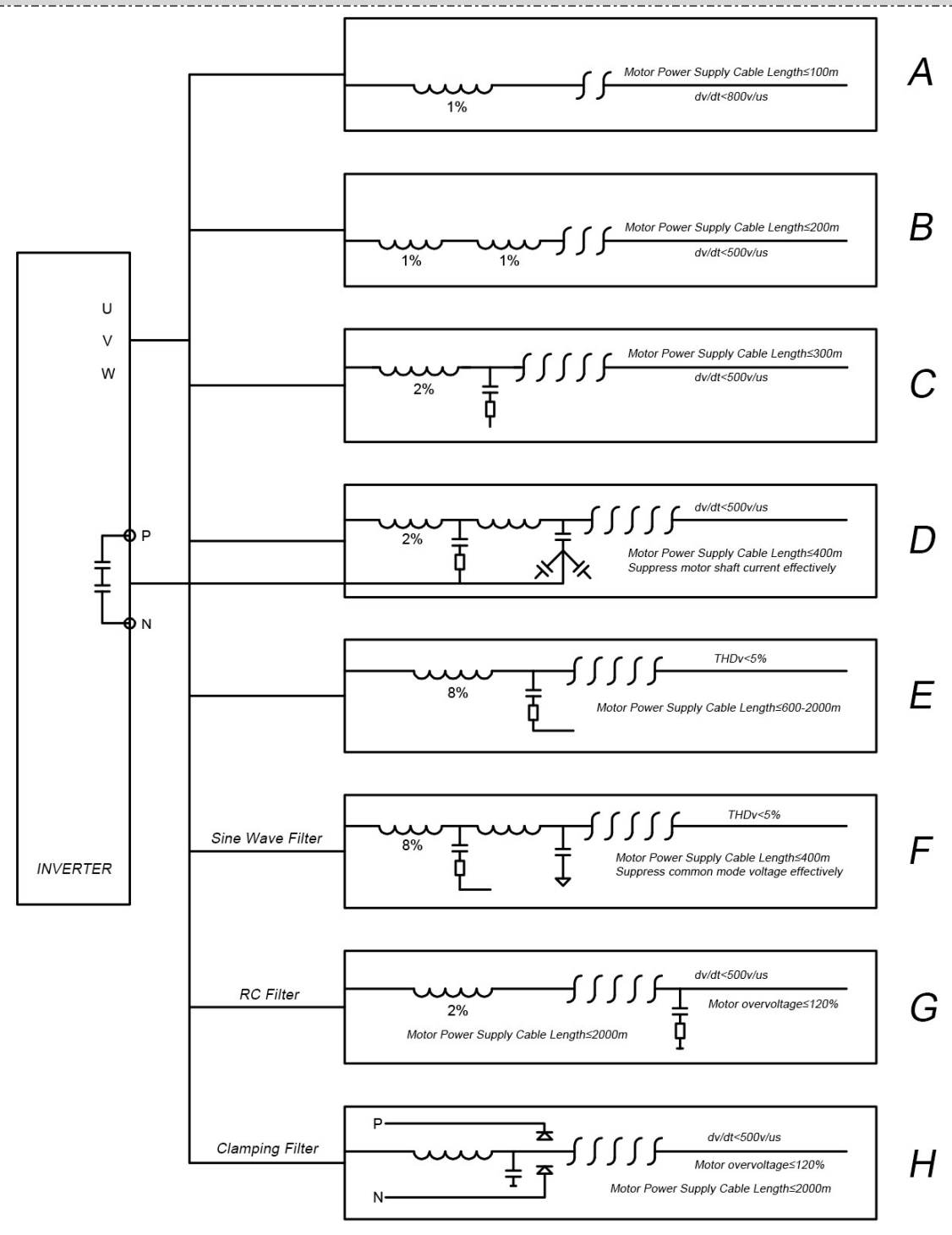


DAQI® Reactors Data sheet

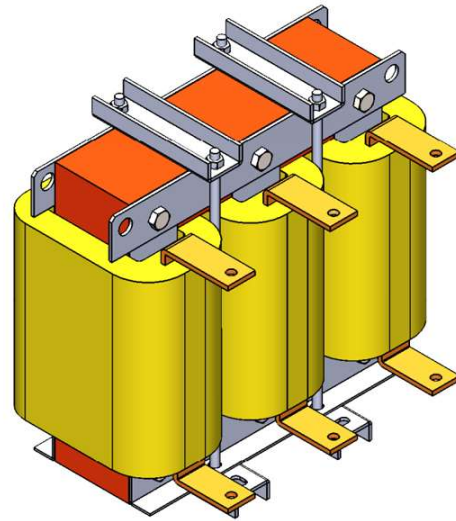
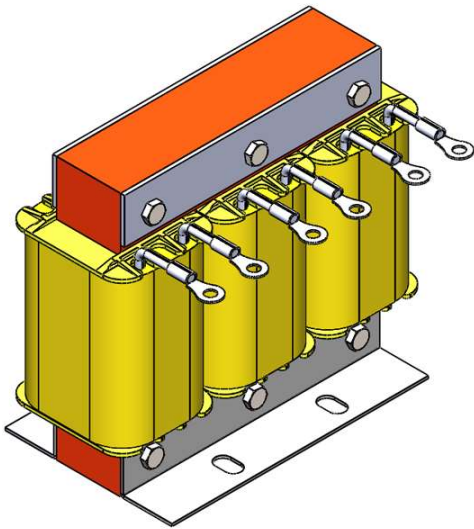
Customized service is available.

1. Electrical Circuit Design



| Long cable power supply over-voltage protection | |
|---|--|
| Solution A: | Motor Power Supply Cable Length \leq 100m dv/dt < 800v/us |
| Solution B: | Motor Power Supply Cable Length \leq 200m dv/dt < 500v/us |
| Solution C: | Motor Power Supply Cable Length \leq 300m dv/dt < 500v/us |
| Solution D: | Motor Power Supply Cable Length \leq 400m dv/dt < 500v/us Suppress motor shaft current effectively |
| Solution E: | Motor Power Supply Cable Length \leq 600-2000m THDv < 5% |
| Solution F: | Motor Power Supply Cable Length \leq 400m THDv < 5% Suppress common mode voltage effectively |
| Solution G: | Motor Power Supply Cable Length \leq 2000m dv/dt < 500v/us Motor over-voltage \leq 120% |
| Solution H: | Motor Power Supply Cable Length \leq 2000m dv/dt < 500v/us Motor over-voltage \leq 120% |
| Please kindly send an inquiry for more details. | |

2. Structure Design



3. Electrical Specifications

| | |
|--------------------------|--|
| Rated Voltage: | 380V/690V/1140V 50/60HZ |
| Rated working frequency: | 0-120HZ |
| Rated current: | 5A-1600A |
| Ambient temperature: | -25°C~50°C |
| Insulation class: | H |
| Others: | Customized features according to uses. |

4. Standards

- ✧ GB 19212.1-2008
- ✧ GB/T 1094.6-2011

- Please kindly send an inquiry for more details.
- We will offer the solution according to the exact uses.

Contact Us:

Email: sales@daqidevice.com

DAQI[®] Products Series

- Sine Wave Filter
- Passive Harmonic Filter
- EMC Filter
- Reactors
- Transformers
- Load Banks
- Active Filter

Contact Us



Shenzhen Daqi Industrial Device Co.,Ltd

Address: Rm1021, Jin Hao Building, Bao'an District, Shenzhen, Guangdong, China

Whatsapp/Tel: +86 186 8032 9162

Email: sales@daqidevice.com Website: www.daqidevice.com