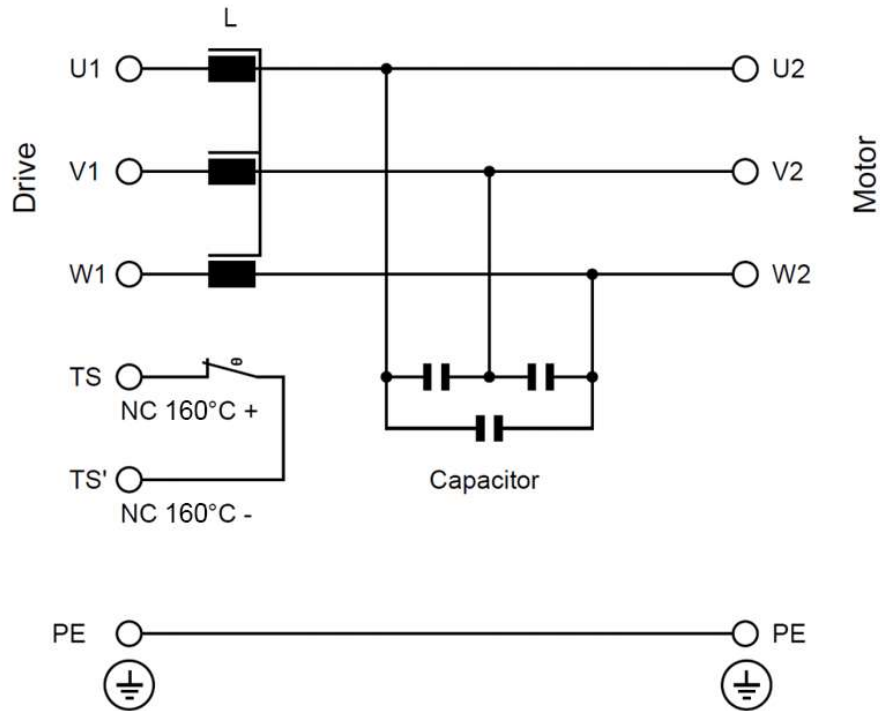


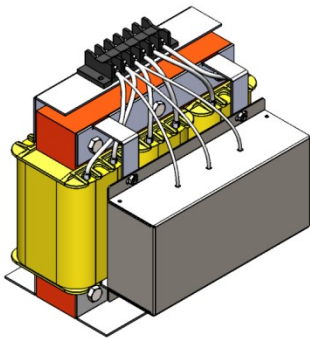
DAQI® Sine Wave Filter Data sheet

Customized service is available.

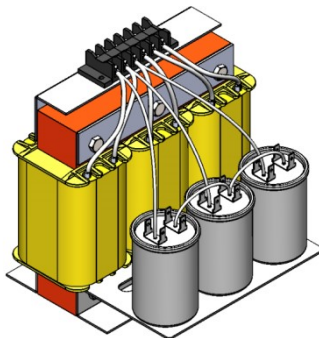
1. Electrical Circuit Design



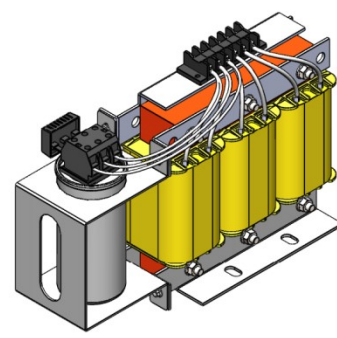
2. Structure Design



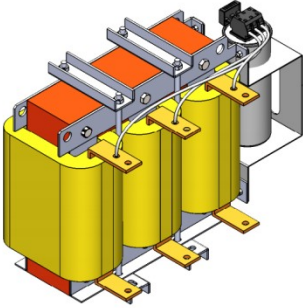
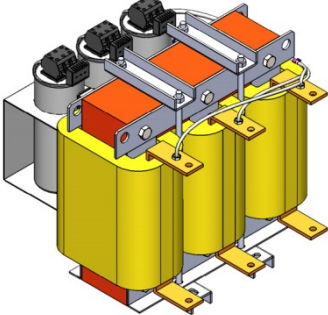
1.5kw-3.7kw



5.5kw-18.5kw



22kw-45kw

		
55kw-75kw	90kw-500kw	
<h3>3. Electrical Installation Guide</h3>		
<p>The device contains the following terminals:</p> <p>[U1, V1, W1] – Output terminals for inverter</p> <p>[U2, V2, W2] – Input terminals for motor</p> <p>[TS, TS'] - Temperature protection</p> <p>[PE] – Protecting earthing.</p>		
<h3>4. Electrical Specifications</h3>		
Nominal operating voltage:	3x380V	
Switching frequency:	≥2khz or 3khz, Max 16KHZ.	
Temperature protection:	160°C	
THDv:	≤5%	
Voltage drop:	≤10%	
Insulation class:	H	
Ambient temperature:	-40°C~+45°C	
Overload capability:	1.5x rated current for 1 minute, once per hour	
Standards	UL 61800-5-1, EN 61800-5-1	

5. Features and Benefits

- ✧ Converts the rectangular PWM output voltage of motor drives into a smooth sine wave with low residual ripple.
- ✧ Elimination of premature motor damage caused by high dv/dt, over-voltages, cable ringing and motor overheating.
- ✧ Improves bearing life time because of bearing currents caused by circulating currents.
- ✧ Complies with IEC 60034-17* requirements for general purpose motors.
- ✧ Optional with IP20 protective cover.

6. Key Functions

- ✧ Prevention of over-voltage on the motor
- ✧ Reduction of motor noise
- ✧ Reduction of motor losses
- ✧ Increase motor service life
- ✧ Possible to apply long motor cables

7. Typical Applications

- ✧ HVAC applications
- ✧ Pumps
- ✧ Conveyors
- ✧ Compressors
- ✧ Elevators
- ✧ Cranes

- ✧ Medium voltage applications, deployed in front of the step-up transformer
- ✧ Retrofit installations with motor drives
- ✧ Motor drive with long motor cable
- ✧ Motor drive with multiple motors in parallel

8. Required drive settings

- ✧ Ensure the drive's switching frequency is set to the required minimum switching frequency (see filter selection table).
- ✧ The mode of operation, for both motor- and regenerative load, must be "scalar" (V/Hz) with a fixed switching frequency.
- ✧ Check the drives manufacturer manual whether special settings are necessary.
- ✧ In any doubt contact the drives manufacturer.
- ✧ CAUTION: If the motor drives settings are not correct the filter may be damaged.

Please kindly send an inquiry for more details.

We will offer the solution according to the exact uses.

Contact Us:

Email: sales@daqidevice.com

Filter Selection Table DQ-SWF IP00

Item No.	Rated current [A]	Rated power [kW]	Min. switching frequency [kHz]	Weight [kg]
DQ-SWF-A-1.5	3.3	1.5	4	7
DQ-SWF-A-2.2	6	2.2	4	10
DQ-SWF-A-4.0	8	3.7	4	10
DQ-SWF-A-5.5	13.2	5.5	4	11
DQ-SWF-A-7.5	18	7.5	4	17
DQ-SWF-A-11	26	11	4	18
DQ-SWF-A-15	32	15	4	21
DQ-SWF-A-19	38	19	4	25
DQ-SWF-A-22	48	22	3	27
DQ-SWF-A-30	63	30	3	36
DQ-SWF-A-37	76	37	3	42
DQ-SWF-A-45	91	45	3	49
DQ-SWF-A-55	116	55	3	78
DQ-SWF-A-75	148	75	3	80
DQ-SWF-A-90	181	90	3	89
DQ-SWF-A-110	214	110	3	90
DQ-SWF-A-132	262	132	3	100
DQ-SWF-A-160	317	160	3	111
DQ-SWF-A-185	352	185	3	120
DQ-SWF-A-200	413	200	2	150
DQ-SWF-A-250	484	250	2	165
DQ-SWF-A-315	630	315	2	256
DQ-SWF-A-355	710	355	2	275
DQ-SWF-A-400	800	400	2	292
DQ-SWF-A-500	1000	500	2	328

DAQI® Products Series

- Sine Wave Filter
- Passive Harmonic Filter
- EMC Filter
- Reactors
- Transformers
- Load Banks
- Active Filter

Contact Us



Shenzhen Daqi Industrial Device Co.,Ltd

Address: Rm1021, Jin Hao Building, Bao'an District, Shenzhen, Guangdong, China

Whatsapp/Tel: +86 186 8032 9162

Email: sales@daqidevice.com Website: www.daqidevice.com